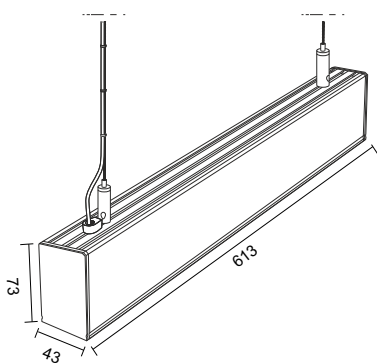
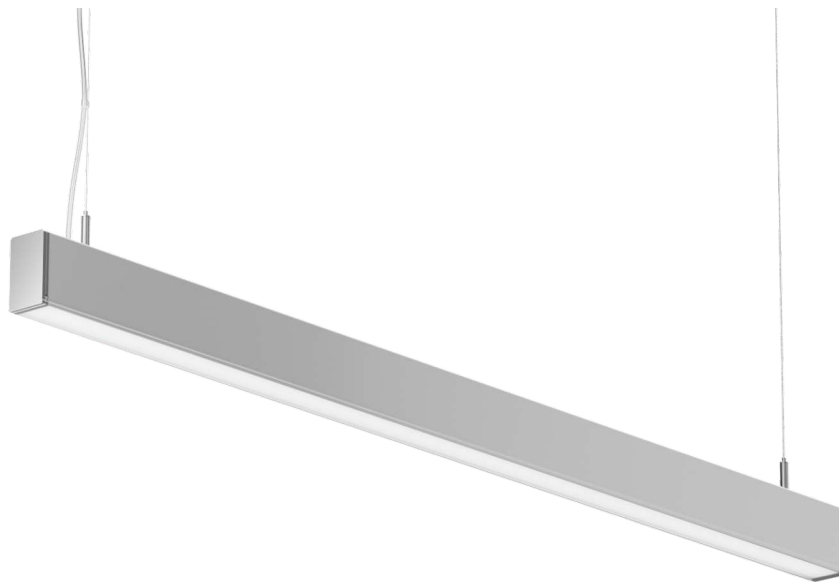


LUMINES Lighting CLARO Linear LED Luminaire



CLARO
by LUMINES[®]
LIGHTING

LUMINES Lighting Linear LED Luminaire is dedicated mainly for indoor use. It is used as a main and decorative light source. Due to its minimalistic design, it allows for various interior arrangements.

Exact length of the luminaire [mm]	613
Fixture height [mm]	73
Fixture depth [mm]	43
Input voltage	220-240V AC
Useful luminous flux [lm] in a 120° cone	2430
Color temperature CCT [K]	3900
Color	Anodized silver

ENERG⁺

LUMINES Lighting
LUM-CLAROS-60-4K

A
B
C
D
E
F
G

F

60
kWh/1000h

2019/2015

SET INCLUDES

LED luminaire	Aluminum
Light source	Samsung LED
Diffuser material	PMMA
Diffuser color	Milk
Set of suspensions	
Line	1250 mm x 1,2 mm
Line with a ball	100 mm
Cable lock	M4 9x29 nickel plated
Nipple	M10x1 nickel plated
Ceiling mounting bracket	15x15 M10x1 nickel

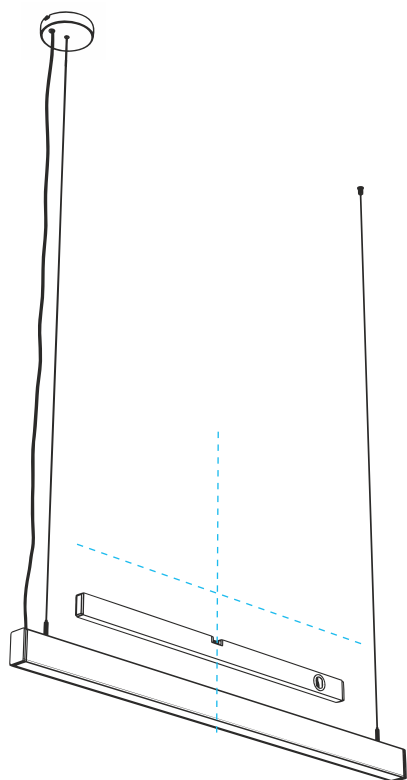
PARAMETERS

Symbol	LUM-CLAROS-60-4K
Index	26-0000-08
Weight with packaging [kg]	2,15
Power on mode [W]	27
Energy efficiency class	F
Standby power [W]	0
Power factor	0,92
Total luminous flux [lm]	3005
Luminous efficiency [lm / W]	110
Peak light [cd / klm]	413,58
CRI Ra	>80
R9	11

Chromaticity Coordinates (x)	0,3857
Chromaticity Coordinates (y)	0,3820
Radiation angle (°)	99
Color uniformity in MacAdam ellipses	<4 degrees
Strobe Effect Indicator (SVM)	0,04
Flicker Index (Pst LM)	0,3
Lighting maintenance factor [%]	96
Dimmable	Not
IP	20
Lifespan L70B50	>54000
Guarantee	60 months



Power Factor PF ≥0,9	Voltage 220-240 V 50-60 Hz	Power 27 W	CRI Ra >80	IP protection IP20	Beam angle 100°	Lifespan 54 000 h	off on 25 000	60% 0,02 s	Starting time <0,02 s	Temperature range +60 °C -20	
-----------------------------------	---	-------------------------	-------------------------	------------------------------	---------------------------	-----------------------------	-------------------------	----------------------	---------------------------------------	---	--



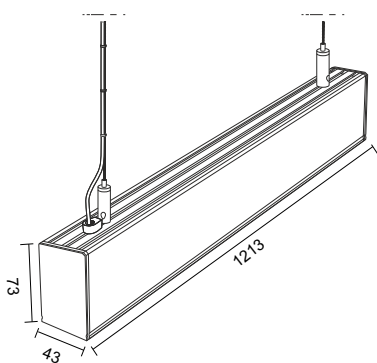
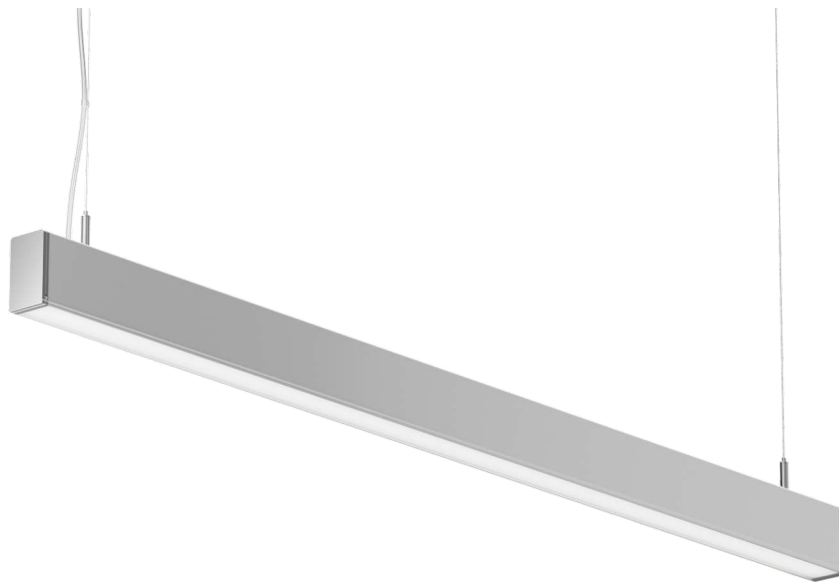
How to install?



Scan the QR code to
see the instructional video



LUMINES Lighting CLARO Linear LED Luminaire



CLARO
by LUMINES
LIGHTING

LUMINES Lighting Linear LED Luminaire is dedicated mainly for indoor use. It is used as a main and decorative light source. Due to its minimalistic design, it allows for various interior arrangements.

Exact length of the luminaire [mm]	1213
Fixture height [mm]	73
Fixture depth [mm]	43
Input voltage	220-240V AC
Useful luminous flux [lm] in a 120° cone	4920
Color temperature CCT [K]	3900
Color	Anodized silver

ENERG

LUMINES Lighting
LUM-CLAROS-120-4K

A
B
C
D
E
F
G

F

54
kWh/1000h

2019/2015

SET INCLUDES

LED luminaire	Aluminum
Light source	Samsung LED
Diffuser material	PMMA
Diffuser color	Milk
Set of suspensions	
Line	1250 mm x 1,2 mm
Line with a ball	100 mm
Cable lock	M4 9x29 nickel plated
Nipple	M10x1 nickel plated
Ceiling mounting bracket	15x15 M10x1 nickel

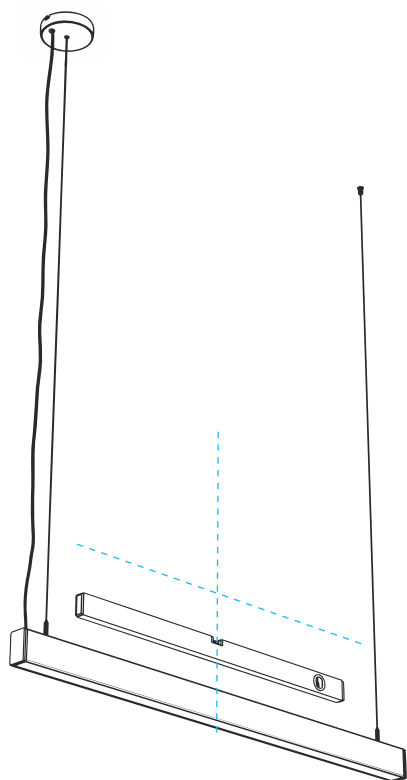
PARAMETERS

Symbol	LUM-CLAROS-120-4K
Index	26-0000-06
Weight with packaging [kg]	3,24
Power on mode [W]	54
Energy efficiency class	F
Standby power [W]	0
Power factor	0,96
Total luminous flux [lm]	6080
Luminous efficiency [lm / W]	112,6
Peak light [cd / klm]	412,12
CRI Ra	>80
R9	11

Chromaticity Coordinates (x)	0,3857
Chromaticity Coordinates (y)	0,3820
Radiation angle (°)	100
Color uniformity in MacAdam ellipses	<4 degrees
Strobe Effect Indicator (SVM)	0,04
Flicker Index (Pst LM)	0,3
Lighting maintenance factor [%]	96
Dimmable	Not
IP	20
Lifespan L70B50	>54000
Guarantee	60 months



Power Factor PF ≥0,9	Voltage 220-240 V 50-60 Hz	Power 54 W	CRI Ra >80	IP protection IP20	Beam angle 100°	Lifespan 54 000 h	off on 25 000	60% 0,02 s	Starting time <0,02 s	Temperature range +60 °C -20	
-----------------------------------	---	-------------------------	-------------------------	------------------------------	---------------------------	-----------------------------	-------------------------	----------------------	---------------------------------------	---	--



How to install?

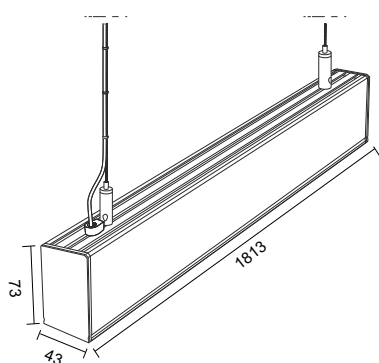
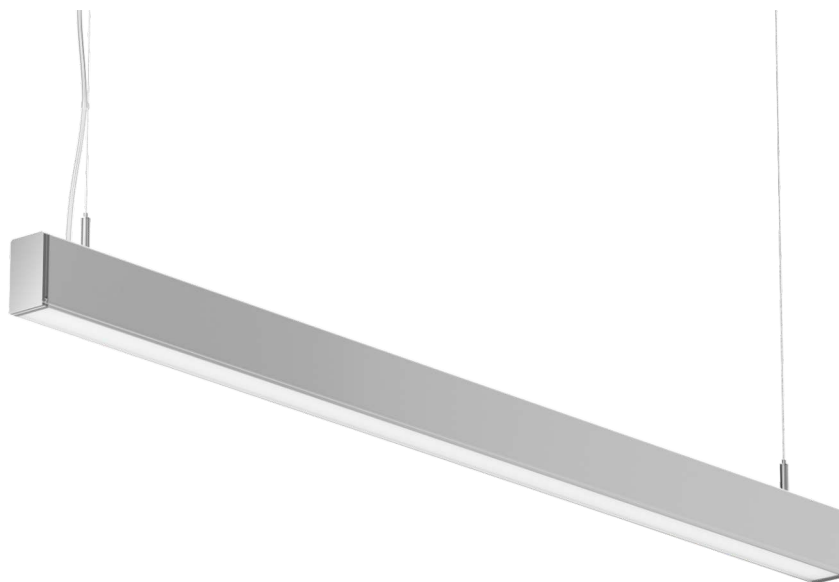


Scan the QR code to
see the instructional video



LUMINES Lighting CLARO

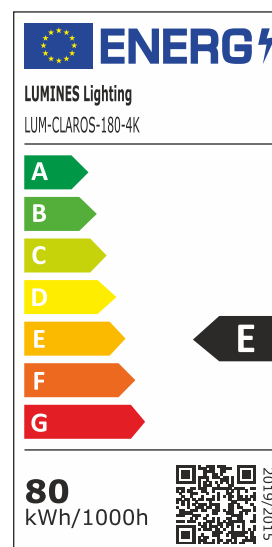
Linear LED Luminaire



CLARO
by LUMINES[®]
LIGHTING

LUMINES Lighting Linear LED Luminaire is dedicated mainly for indoor use. It is used as a main and decorative light source. Due to its minimalistic design, it allows for various interior arrangements.

Exact length of the luminaire [mm]	1813
Fixture height [mm]	73
Fixture depth [mm]	43
Input voltage	220-240V AC
Useful luminous flux [lm] in a 120° cone	7980
Color temperature CCT [K]	3900
Color	Anodized silver



SET INCLUDES

LED luminaire	Aluminum
Light source	Samsung LED
Diffuser material	PMMA
Diffuser color	Milk
Set of suspensions	
Line	1250 mm x 1,2 mm
Line with a ball	100 mm
Cable lock	M4 9x29 nickel plated
Nipple	M10x1 nickel plated
Ceiling mounting bracket	15x15 M10x1 nickel

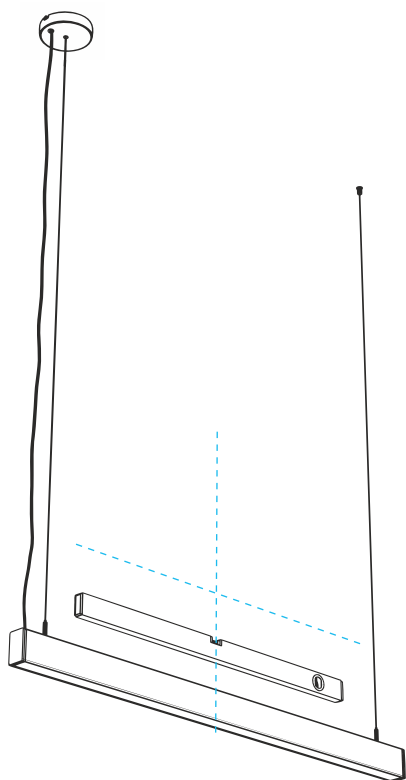
PARAMETERS

Symbol	LUM-CLAROS-180-4K
Index	26-0000-07
Weight with packaging [kg]	4,42
Power on mode [W]	80
Energy efficiency class	E
Standby power [W]	0
Power factor	0,98
Total luminous flux [lm]	9120
Luminous efficiency [lm / W]	113,5
Peak light [cd / klm]	412,12
CRI Ra	>80
R9	11

Chromaticity Coordinates (x)	0,3857
Chromaticity Coordinates (y)	0,3820
Radiation angle (°)	100
Color uniformity in MacAdam ellipses	<4 degrees
Strobe Effect Indicator (SVM)	0,04
Flicker Index (Pst LM)	0,3
Lighting maintenance factor [%]	96
Dimmable	Not
IP	20
Lifespan L70B50	>54000
Guarantee	60 months



Power Factor PF ≥0,9	Voltage 220-240 V 50-60 Hz	Power 80 W	CRI Ra >80	IP protection IP20	Beam angle 100°	Lifespan 54 000 h	off on 25 000	60% 0,02 s	Starting time <0,02 s	Temperature range +60 °C -20	
-----------------------------------	---	-------------------------	-------------------------	------------------------------	---------------------------	-----------------------------	-------------------------	----------------------	---------------------------------------	---	--



How to install?



Scan the QR code to
see the instructional video

