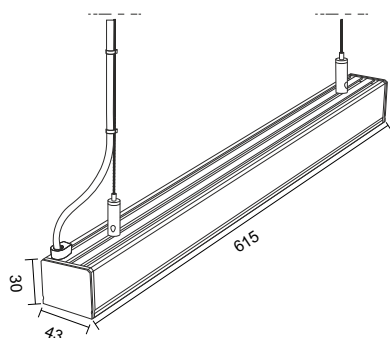


LUMINES Lighting ILEDO

Linear LED Luminaire



ILEDO
by LUMINES[®]
LIGHTING

LUMINES Lighting Linear LED Luminaire is dedicated mainly for indoor use. It is used as a main and decorative light source. Due to its minimalistic design, it allows for various interior arrangements.

Exact length of the luminaire [mm]	615
Fixture height [mm]	30
Fixture depth [mm]	43
Input voltage	220-240V AC
Useful luminous flux [lm] in a 120° cone	1810
Color temperature CCT [K]	4000
Color	White lacquered

ENERG

LUMINES Lighting
LUM-ILEDOB-60-4K

A
B
C
D
E
F
G

F

20
kWh/1000h

2019/2015

SET INCLUDES

LED luminaire	Aluminum
Light source	Samsung LED
Diffuser material	PMMA
Diffuser color	Milk
Set of suspensions	
Line	1250 mm x 1,2 mm
Cable lock	M4 9x29 nickel plated
Nipple	M10x1 nickel plated
Ceiling mounting bracket	15x15 M10x1 nickel

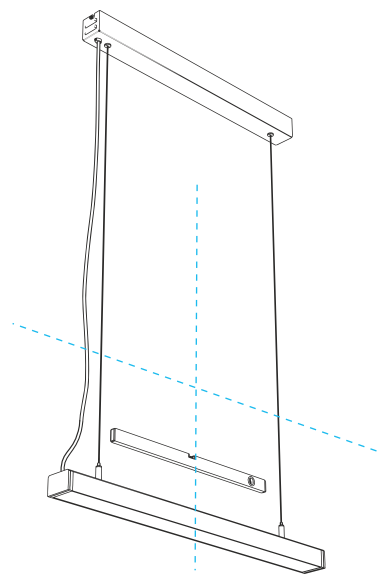
PARAMETERS

Symbol	LUM-ILEDOB-60-4K
Index	26-0000-29
Weight with packaging [kg]	1,96
Power on mode [W]	20
Energy efficiency class	F
Standby power [W]	0
Power factor	0,89
Total luminous flux [lm]	2230
Luminous efficiency [lm / W]	111
Peak light [cd / klm]	420,11
CRI Ra	>80
R9	11

Chromaticity Coordinates (x)	0,3827
Chromaticity Coordinates (y)	0,3800
Radiation angle (°)	99
Color uniformity in MacAdam ellipses	<4 degrees
Strobe Effect Indicator (SVM)	0,04
Flicker Index (Pst LM)	0,3
Lighting maintenance factor [%]	96
Dimmable	Not
IP	20
Lifespan L70B50	>54000
Guarantee	60 months



Power Factor PF ≥0,9	Voltage 220-240 V 50-60 Hz	Power 20 W	CRI Ra >80	IP protection IP20	Beam angle 100°	Lifespan 54 000 h	off on 25 000	60% 0,02 s	Starting time <0,02 s	Temperature range +60 °C -20	
-----------------------------------	---	-------------------------	-------------------------	------------------------------	---------------------------	-----------------------------	-------------------------	----------------------	---------------------------------------	---	--



How to install?

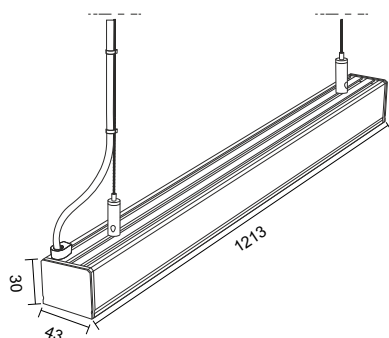


Scan the QR code to
see the instructional video



LUMINES Lighting ILEDO

Linear LED Luminaire



ILEDO
by **LUMINES**[®]
LIGHTING

LUMINES Lighting Linear LED Luminaire is dedicated mainly for indoor use. It is used as a main and decorative light source. Due to its minimalistic design, it allows for various interior arrangements.

Exact length of the luminaire [mm]	1213
Fixture height [mm]	30
Fixture depth [mm]	43
Input voltage	220-240V AC
Useful luminous flux [lm] in a 120° cone	3700
Color temperature CCT [K]	4000
Color	White lacquered

ENERG⁺

LUMINES Lighting
LUM-ILEDOB-120-4K

A
B
C
D
E
F
G

39
kWh/1000h

2019/2015

SET INCLUDES

LED luminaire	Aluminum
Light source	Samsung LED
Diffuser material	PMMA
Diffuser color	Milk
Set of suspensions	
Line	1250 mm x 1,2 mm
Cable lock	M4 9x29 nickel plated
Nipple	M10x1 nickel plated
Ceiling mounting bracket	15x15 M10x1 nickel

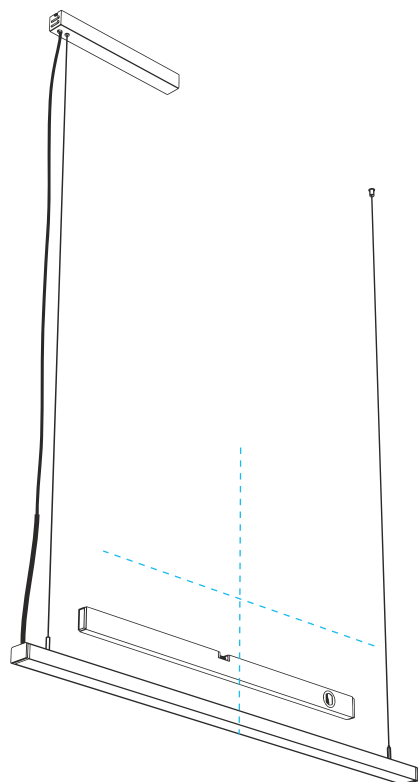
PARAMETERS

Symbol	LUM-ILEDOB-120-4K
Index	26-0000-27
Weight with packaging [kg]	2,75
Power on mode [W]	38,5
Energy efficiency class	E
Standby power [W]	0
Power factor	0,95
Total luminous flux [lm]	4570
Luminous efficiency [lm / W]	118,4
Peak light [cd / klm]	417,79
CRI Ra	>80
R9	11

Chromaticity Coordinates (x)	0,3827
Chromaticity Coordinates (y)	0,3800
Radiation angle (°)	100
Color uniformity in MacAdam ellipses	<4 degrees
Strobe Effect Indicator (SVM)	0,04
Flicker Index (Pst LM)	0,3
Lighting maintenance factor [%]	96
Dimmable	Not
IP	20
Lifespan L70B50	>54000
Guarantee	60 months



Power Factor PF ≥0,9	Voltage 220-240 V 50-60 Hz	Power 39 W	CRI Ra >80	IP protection IP20	Beam angle 100°	Lifespan 54 000 h	off on 25 000	60% 0,02 s	Starting time <0,02 s	Temperature range +60 °C -20	
-----------------------------------	---	-------------------------	-------------------------	------------------------------	---------------------------	-----------------------------	-------------------------	----------------------	---------------------------------------	---	--



How to install?

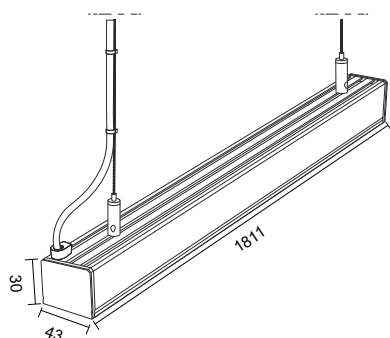


Scan the QR code to
see the instructional video



LUMINES Lighting ILEDO

Linear LED Luminaire



ILEDO
by **LUMINES**[®]
LIGHTING

LUMINES Lighting Linear LED Luminaire is dedicated mainly for indoor use. It is used as a main and decorative light source. Due to its minimalistic design, it allows for various interior arrangements.

Exact length of the luminaire [mm]	1811
Fixture height [mm]	30
Fixture depth [mm]	43
Input voltage	220-240V AC
Useful luminous flux [lm] in a 120° cone	5560
Color temperature CCT [K]	4000
Color	White lacquered

ENERGY

LUMINES Lighting
LUM-ILEDOB-180-4K

56
kWh/1000h

2019/2015

SET INCLUDES

LED luminaire	Aluminum
Light source	Samsung LED
Diffuser material	PMMA
Diffuser color	Milk
Set of suspensions	
Line	1250 mm x 1,2 mm
Cable lock	M4 9x29 nickel plated
Nipple	M10x1 nickel plated
Ceiling mounting bracket	15x15 M10x1 nickel

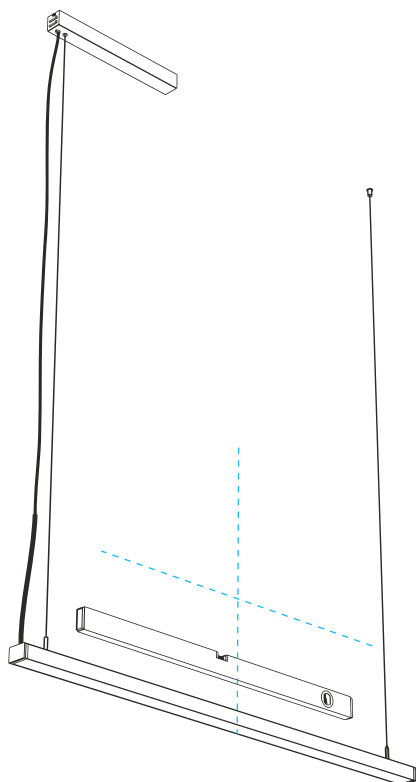
PARAMETERS

Symbol	LUM-ILEDOB-180-4K
Index	26-0000-28
Weight with packaging [kg]	3,4
Power on mode [W]	56
Energy efficiency class	E
Standby power [W]	0
Power factor	0,97
Total luminous flux [lm]	6860
Luminous efficiency [lm / W]	121,7
Peak light [cd / klm]	417,79
CRI Ra	>80
R9	11

Chromaticity Coordinates (x)	0,3827
Chromaticity Coordinates (y)	0,3800
Radiation angle (°)	100
Color uniformity in MacAdam ellipses	<4 degrees
Strobe Effect Indicator (SVM)	0,04
Flicker Index (Pst LM)	0,3
Lighting maintenance factor [%]	96
Dimmable	Not
IP	20
Lifespan L70B50	>54000
Guarantee	60 months



Power Factor PF ≥0,9	Voltage 220-240 V 50-60 Hz	Power 56 W	CRI Ra >80	IP protection IP20	Beam angle 100°	Lifespan 54 000 h	off on 25 000	60% 0,02 s	Starting time <0,02 s	Temperature range +60 °C -20	
-----------------------------------	---	-------------------------	-------------------------	------------------------------	---------------------------	-----------------------------	-------------------------	----------------------	---------------------------------------	---	--



How to install?



Scan the QR code to
see the instructional video

