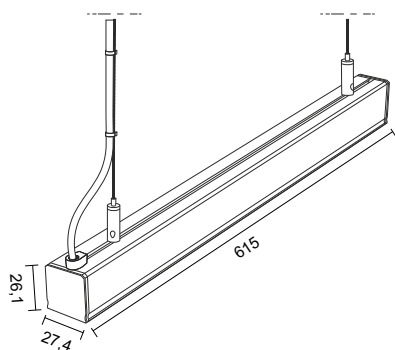


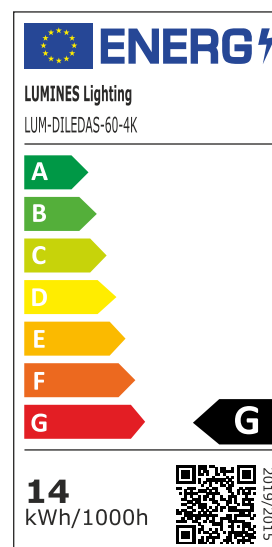
# LUMINES Lighting DILEDA Linear LED Luminaire



**DILEDA**  
by **LUMINES**<sup>®</sup>  
LIGHTING

LUMINES Lighting Linear LED Luminaire is dedicated mainly for indoor use. It is used as a main and decorative light source. Due to its minimalistic design, it allows for various interior arrangements.

Exact length of the luminaire [mm]	615
Fixture height [mm]	26,1
Fixture depth [mm]	27,4
Input voltage	220-240V AC
Useful luminous flux [lm] in a 120° cone	975
Color temperature CCT [K]	3900
Color	Anodized silver



## SET INCLUDES

LED luminaire	Aluminum
Light source	Samsung LED
Diffuser material	PMMA
Diffuser color	Milk
Set of suspensions	
Line	1250 mm x 1,2 mm
Cable lock	M4 9x29 nickel plated
Nipple	M10x1 nickel plated
Ceiling mounting bracket	15x15 M10x1 nickel

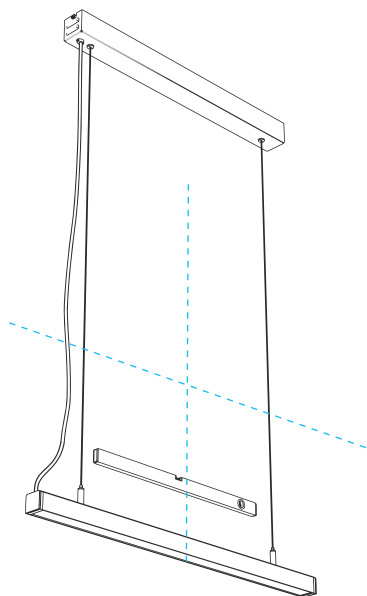
## PARAMETERS

Symbol	LUM-DILEDAS-60-4K
Index	26-0000-17
Weight with packaging [kg]	1,6
Power on mode [W]	14
Energy efficiency class	G
Standby power [W]	0
Power factor	0,82
Total luminous flux [lm]	1115
Luminous efficiency [lm / W]	80,2
Peak light [cd / klm]	501,56
CRI Ra	>80
R9	11

Chromaticity Coordinates (x)	0,3857
Chromaticity Coordinates (y)	0,3820
Radiation angle (°)	93
Color uniformity in MacAdam ellipses	<4 degrees
Strobe Effect Indicator (SVM)	0,04
Flicker Index (Pst LM)	0,3
Lighting maintenance factor [%]	96
Dimmable	Not
IP	20
Lifespan L70B50	>54000
Guarantee	60 months



Power Factor <b>PF</b> ≥0,9	Voltage <b>220-240 V</b> 50-60 Hz	Power <b>14</b> W	CRI <b>Ra</b> >80	IP protection <b>IP20</b>	Beam angle <b>100°</b>	Lifespan <b>54 000 h</b>	off on <b>25 000</b>	60% <b>0,02 s</b>	Starting time <b>&lt;0,02</b> s	Temperature range <b>+60</b> °C <b>-20</b>	
-----------------------------------	---	-------------------------	-------------------------	------------------------------	---------------------------	-----------------------------	-------------------------	----------------------	---------------------------------------	---	--



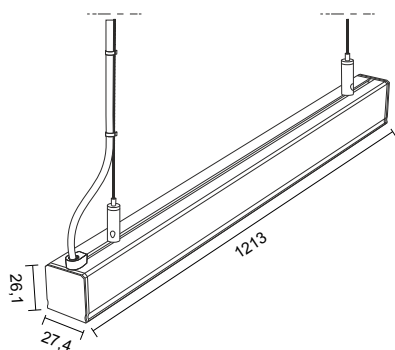
## How to install?



Scan the QR code to  
see the instructional video



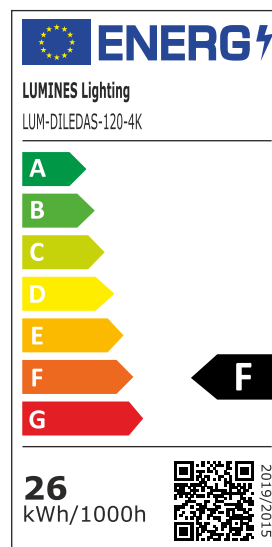
# LUMINES Lighting DILEDA Linear LED Luminaire



**DILEDA**  
by **LUMINES**<sup>®</sup>  
LIGHTING

LUMINES Lighting Linear LED Luminaire is dedicated mainly for indoor use. It is used as a main and decorative light source. Due to its minimalistic design, it allows for various interior arrangements.

Exact length of the luminaire [mm]	1213
Fixture height [mm]	26,1
Fixture depth [mm]	27,4
Input voltage	220-240V AC
Useful luminous flux [lm] in a 120° cone	1980
Color temperature CCT [K]	3900
Color	Anodized silver



## SET INCLUDES

LED luminaire	Aluminum
Light source	Samsung LED
Diffuser material	PMMA
Diffuser color	Milk
Set of suspensions	
Line	1250 mm x 1,2 mm
Cable lock	M4 9x29 nickel plated
Nipple	M10x1 nickel plated
Ceiling mounting bracket	15x15 M10x1 nickel

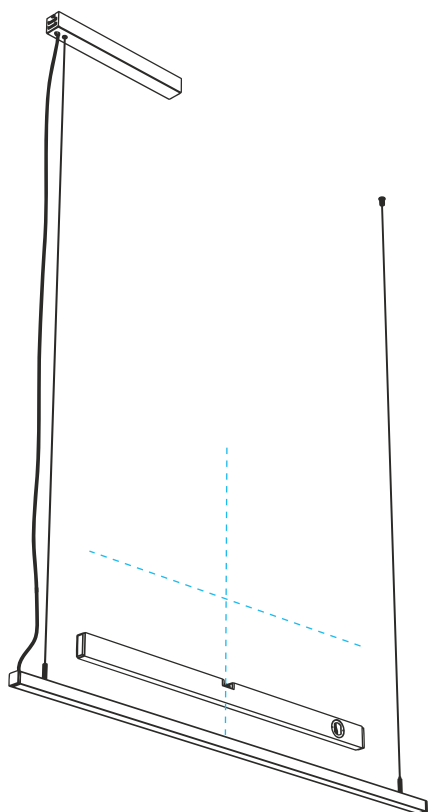
## PARAMETERS

Symbol	LUM-DILEDAS-120-4K
Index	26-0000-15
Weight with packaging [kg]	2,14
Power on mode [W]	26
Energy efficiency class	F
Standby power [W]	0
Power factor	0,91
Total luminous flux [lm]	2285
Luminous efficiency [lm / W]	86,9
Peak light [cd / klm]	500,8
CRI Ra	>80
R9	11

Chromaticity Coordinates (x)	0,3857
Chromaticity Coordinates (y)	0,3820
Radiation angle (°)	94
Color uniformity in MacAdam ellipses	<4 degrees
Strobe Effect Indicator (SVM)	0,04
Flicker Index (Pst LM)	0,3
Lighting maintenance factor [%]	96
Dimmable	Not
IP	20
Lifespan L70B50	>54000
Guarantee	60 months



Power Factor <b>PF</b> ≥0,9	Voltage <b>220-240 V</b> 50-60 Hz	Power <b>26</b> W	CRI <b>Ra</b> >80	IP protection <b>IP20</b>	Beam angle <b>100°</b>	Lifespan <b>54 000 h</b>	off on <b>25 000</b>	60% <b>0,02 s</b>	Starting time <b>&lt;0,02</b> s	Temperature range <b>+60</b> °C <b>-20</b>	
-----------------------------------	---	-------------------------	-------------------------	------------------------------	---------------------------	-----------------------------	-------------------------	----------------------	---------------------------------------	---	--



## How to install?

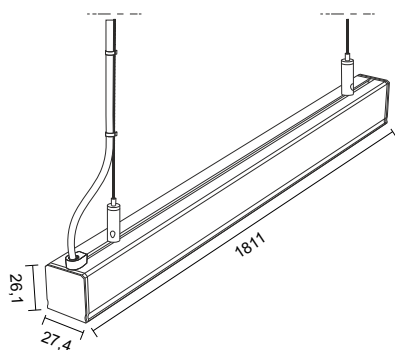


Scan the QR code to  
see the instructional video





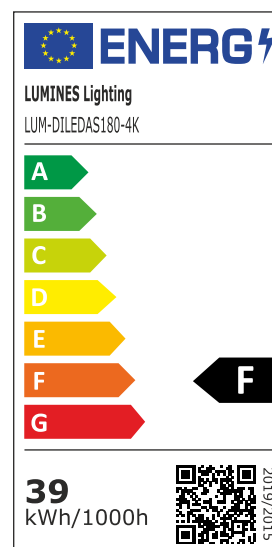
# LUMINES Lighting DILEDA Linear LED Luminaire



**DILEDA**  
by **LUMINES**<sup>®</sup>  
LIGHTING

LUMINES Lighting Linear LED Luminaire is dedicated mainly for indoor use. It is used as a main and decorative light source. Due to its minimalistic design, it allows for various interior arrangements.

Exact length of the luminaire [mm]	1811
Fixture height [mm]	26,1
Fixture depth [mm]	27,4
Input voltage	220-240V AC
Useful luminous flux [lm] in a 120° cone	2980
Color temperature CCT [K]	3900
Color	Anodized silver



## SET INCLUDES

LED luminaire	Aluminum
Light source	Samsung LED
Diffuser material	PMMA
Diffuser color	Milk
Set of suspensions	
Line	1250 mm x 1,2 mm
Cable lock	M4 9x29 nickel plated
Nipple	M10x1 nickel plated
Ceiling mounting bracket	15x15 M10x1 nickel

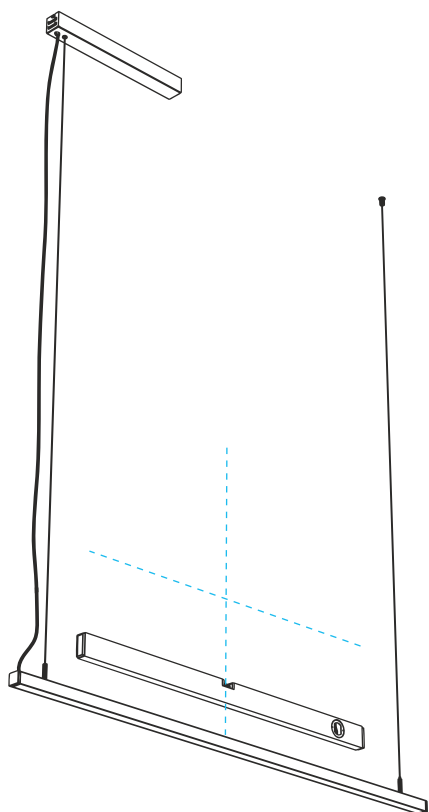
## PARAMETERS

Symbol	LUM-DILEDAS-180-4K
Index	26-0000-16
Weight with packaging [kg]	2,72
Power on mode [W]	38,5
Energy efficiency class	F
Standby power [W]	0
Power factor	0,95
Total luminous flux [lm]	3430
Luminous efficiency [lm / W]	88,8
Peak light [cd / klm]	500,8
CRI Ra	>80
R9	11

Chromaticity Coordinates (x)	0,3857
Chromaticity Coordinates (y)	0,3820
Radiation angle (°)	94
Color uniformity in MacAdam ellipses	<4 degrees
Strobe Effect Indicator (SVM)	0,04
Flicker Index (Pst LM)	0,3
Lighting maintenance factor [%]	96
Dimmable	Not
IP	20
Lifespan L70B50	>54000
Guarantee	60 months



Power Factor <b>PF</b> ≥0,9	Voltage <b>220-240 V</b> 50-60 Hz	Power <b>39</b> W	CRI <b>Ra</b> >80	IP protection <b>IP20</b>	Beam angle <b>100°</b>	Lifespan <b>54 000 h</b>	off on <b>25 000</b>	60% <b>0,02 s</b>	Starting time <b>&lt;0,02</b> s	Temperature range <b>+60</b> °C <b>-20</b>	
-----------------------------------	---	-------------------------	-------------------------	------------------------------	---------------------------	-----------------------------	-------------------------	----------------------	---------------------------------------	---	--



## How to install?



Scan the QR code to  
see the instructional video

